

IMAGE CAPTURE

ITSCAM FF, Free Flow



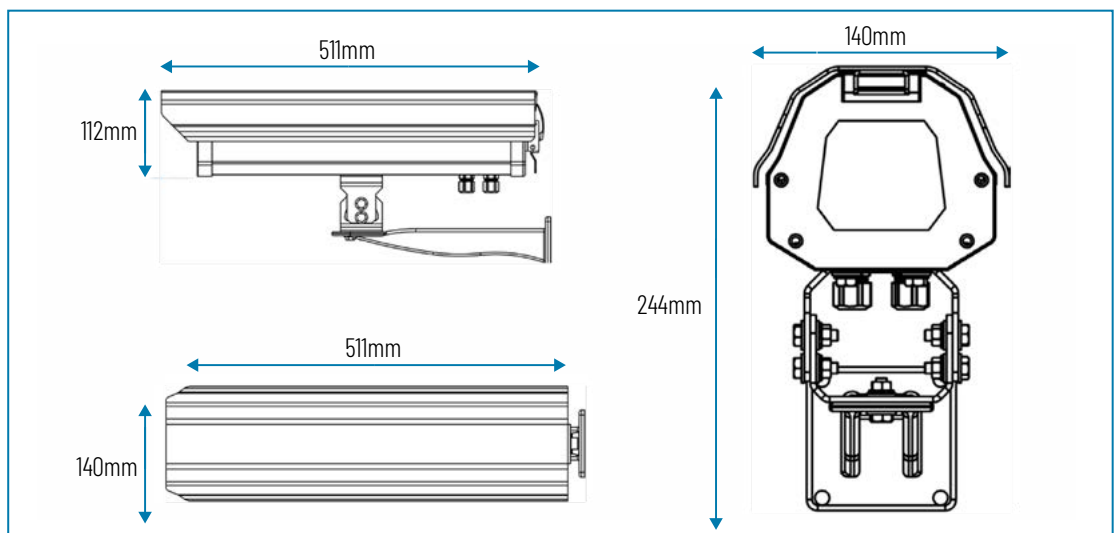
ITSCAM FF, A FREE FLOW SOLUTION

ITSCAM FF is a smart camera for ITS (Intelligent Traffic Systems) that monitors vehicles circulating on city streets and highways without using sensors, applying advanced image processing techniques.

The monitoring entails the following stages: detection, recording, vehicle license plate recognition, information storage and management. All data can be shared with other systems via the REST protocol (Web Service) and also viewed via the **ITSCAMPRO** system. This allows for monitoring restricted vehicles with alarms, analyzing time and average speed, obtaining information on origin, destination and other details. This is the ideal solution for vehicle monitoring, perfectly suited to use in Smart Cities environments.

USES

- Public safety
- Traffic management
- Statistical surveying
- Smart Cities
- Urban mobility



MAIN FEATURES

- Image adjustment via motorized lens
- Installation of physical sensors not required
- Automatic license plate reading (OCR/LPR)
- Integration with other systems via REST Web Service
- Configuration via web interface
- PUMATRONIX HDR technology (recording the vehicle's license plate and features in a single image)
- Smart **ITSLUX** flash triggering according to ambient lighting
- Low power consumption
- Recording vehicles at low high speed
- Compatible with the **ITSCAMPRO** traffic management system
- Highly reliable with the use of industrial hardware
- OCR/LPR with support for multiple countries
- Features power supply and network surge protector
- Built-in power supply

TECHNICAL SPECIFICATIONS

Image capture

Model	ITSCAM HDR
Resolution	1280 x 960, 1/3" D/N
Lens	4.7-47mm, Motorized
Consumption	5W

For more information, refer to the ITSCAM HDR product manual

Light emitting source - flash

Model	I6022 (see other options)
Emission Angle	22°
Recommended use	4 to 21m
Type of Light emitted	Infrared (not visible)
Wavelength	850 nm
Frames per second	4 to 16
Power supply	24 to 32VDC
Consumption (stand-by)	1W
Operating temperature	-10 °c to 60 °c
Material	Polycarbonate with IP67 protection
Dimensions	81 x 121 x 76 mm
Weight	~ 500g

For more information, refer to the ITSLUX I6022 product manual

OCR

Model	MAP
Protection	IP54
Material	Aluminum
Dimensions (without flash/light emitting source)	244 mm x 140 mm x 511 mm
Operating temperature	-30 to 60 °C
Weight	250g
Maximum consumption	~ 20W

Data management

Average daytime image size*	[A] 60KB
Average nighttime image size*	[B] 45KB

Estimated server storage calculation

Number of cameras	[C] 1
Daytime VDM (Daily Vehicle Average)	[D] 1200
Nighttime VDM (Daily Vehicle Average)	[E] 800
Number of days for storage	[F] 30
Average required disk space	$C \times [(D \times A) + (E \times B)] \times F$ $1 \text{ [CAMERA]} \times [(1200 \times 60) + (800 \times 45)] \times 30$ 3.240.000 KB, 3.165 MB or 3.1 GB

* We consider the average size, because it varies according to the information existing in the image, such as colors, lines, etc.

